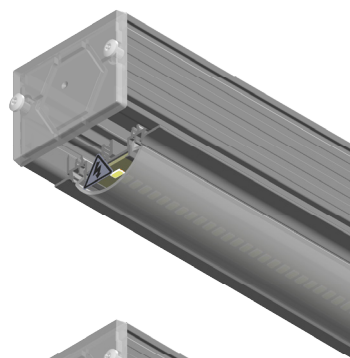


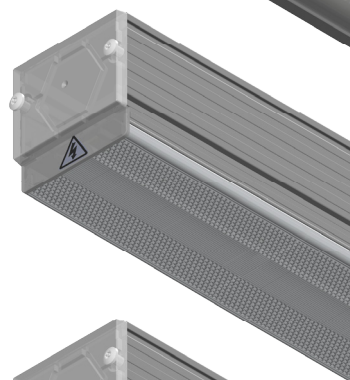


This manual is for usage with shown product families on this page in IP20-IP40, IP54 and IP65 specifications.

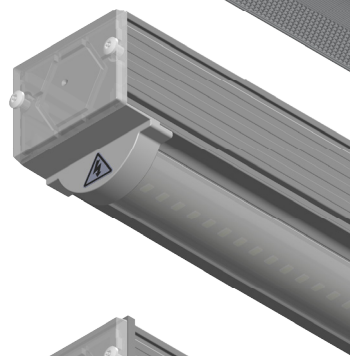
Magnus



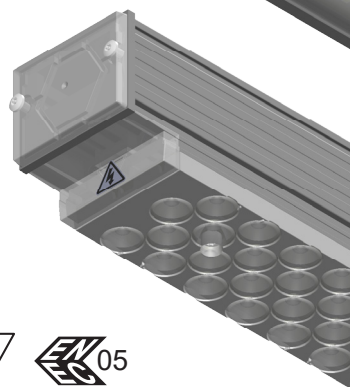
Duncan

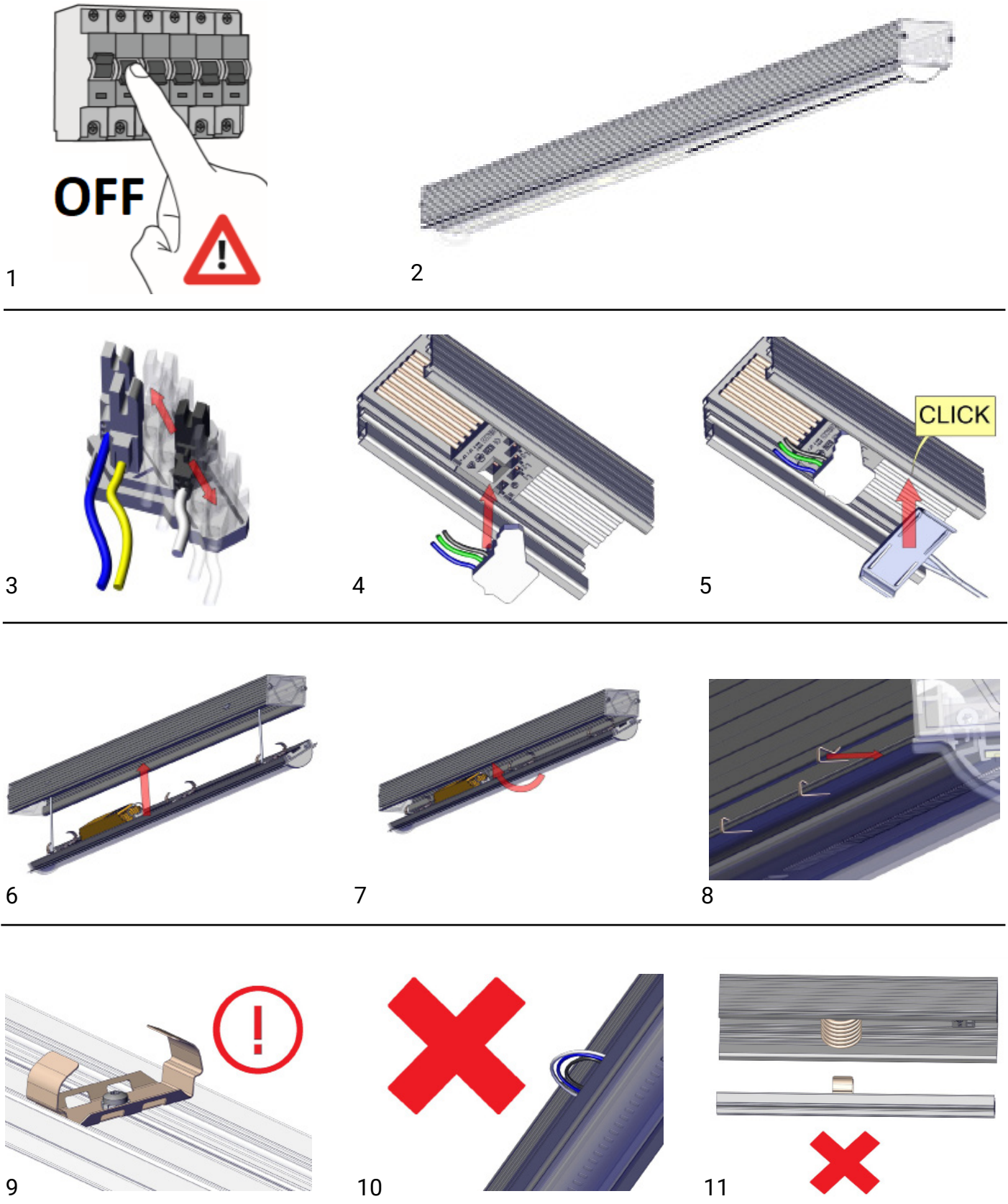


Joris



Rowan

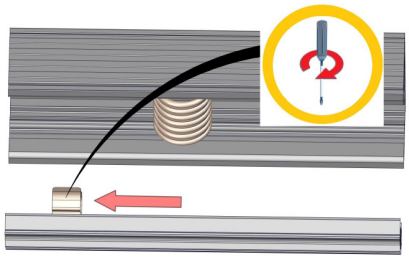




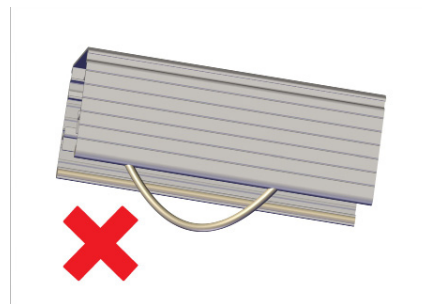
1 Disconnect the mains before operating the linear lighting system.
 2 Type of unit and/or profile may vary.
 3 Make sure poles and wiring are in correct position.
 4 Insert connector to the flatcable.
 5 Press and mount the fallout safety clip into the profile.

6 Fit the unit onto the profile under an angle.
 7 Turn, press and firmly 'click' the unit into the profile.
 8 In case of a sports or emergency unit, place extra safety clips onto the unit and profile, 5 on either side of the unit, equally divided.
 9 **Caution:** Bracket may contain sharp edges.

10 **Caution:** Make sure wiring doesn't get stuck between the unit and the profile and is placed properly inside the linear lighting system.
 11 **Caution:** Make sure the spring is not at the same position of the curl in the flat cable.



12



13 (IP65 profile)

12 **Caution:** If it does, moves the spring next to the curl.

13 **Caution:** In case of an IP65 profile, make sure sealing doesn't get stuck between the unit and profile and is placed properly inside the profile.