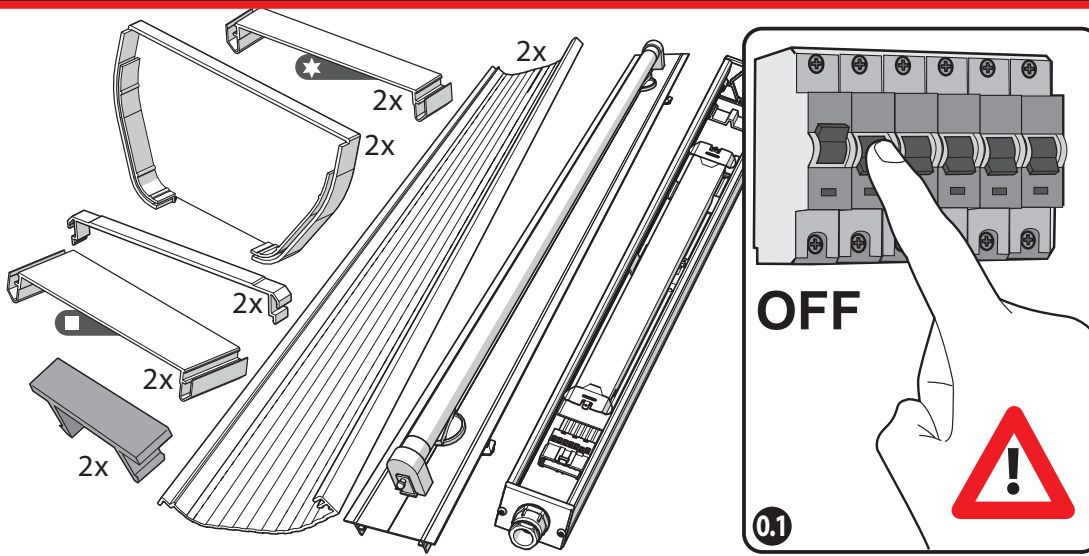


TREND LINE "BASIC" (ULN) INSTALLATION INSTRUCTIONS

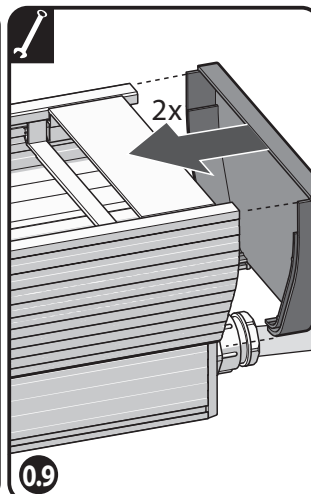
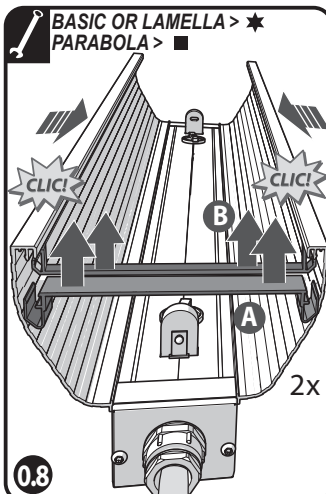
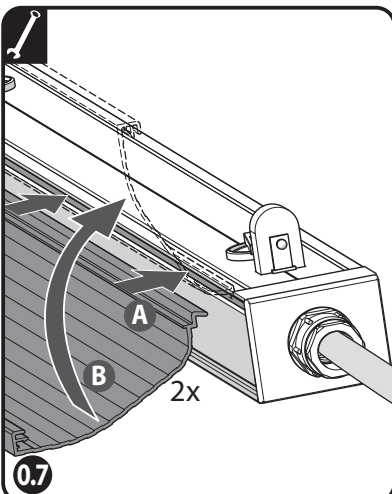
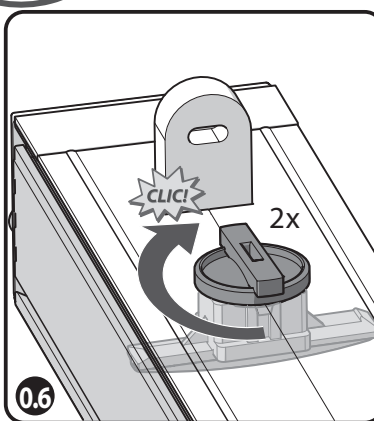
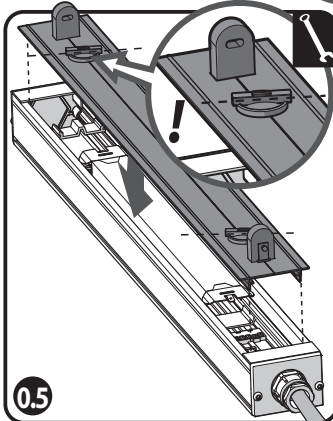
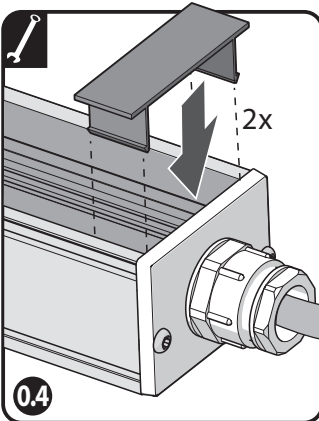
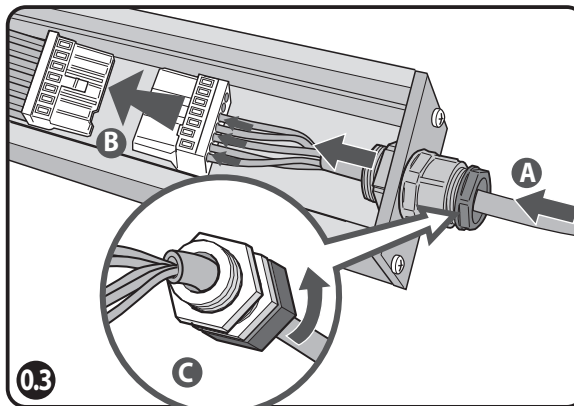
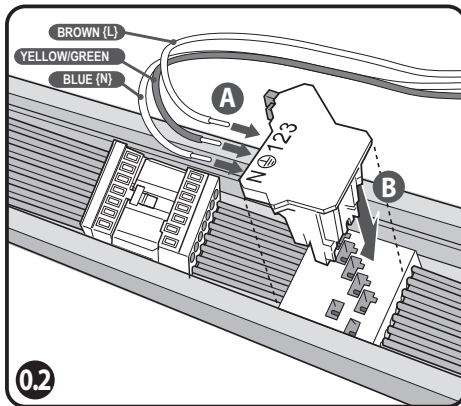


INTRODUCTION

Veko's TREND line lighting is ideally suited for use in offices, showrooms, schools and shops.

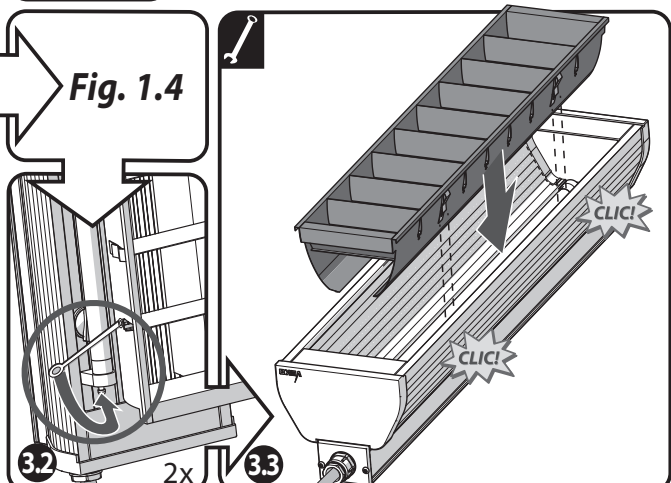
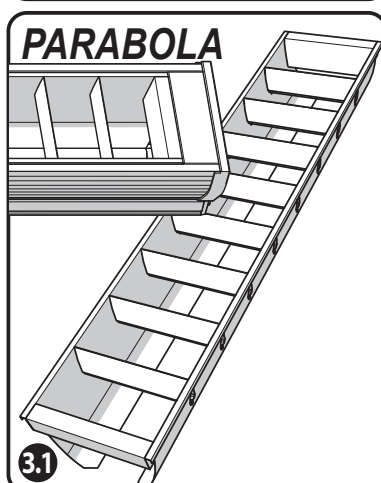
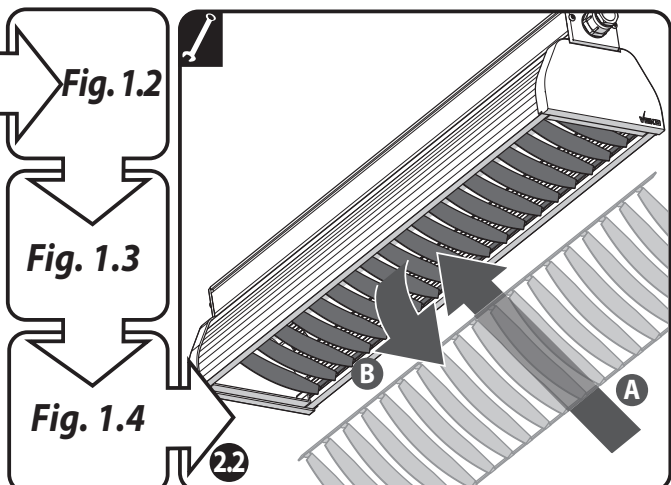
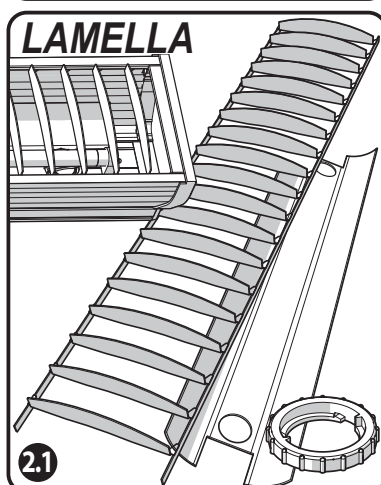
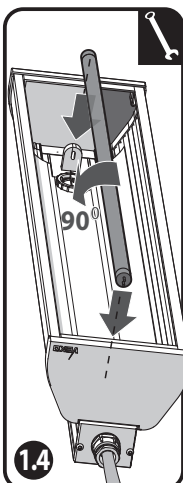
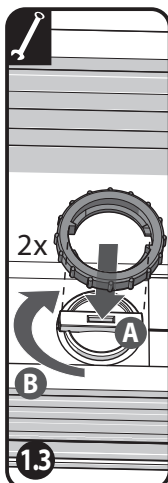
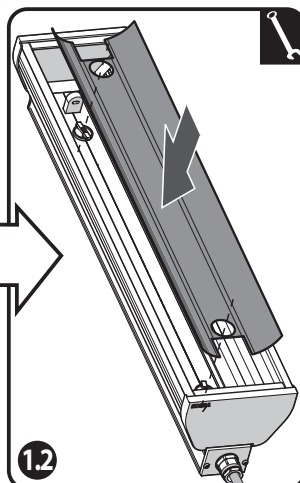
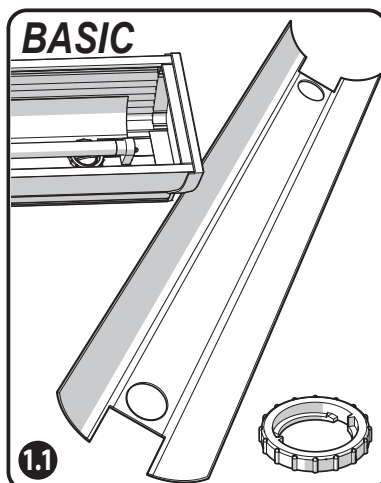
INSTALLATION

- [0.1] Disconnect the mains before installation!
- [0.2] Insert the wires of the units into the connector on N, \oplus , and L1/L2/L3 {A}. Mount the connector on the wiring harness of the light line {B}.
- [0.3] Thread the cable through the swivel eye {A}. Connect the wires as shown in the diagram below and mount the 7-pin connector on the wiring harness {B}. Tighten the coupling nut {C}.
- [0.4] Click both caps into the profile of the light line.
- [0.5] Fit the light unit into the profile.
- [0.6] Secure the light unit in place by tightening both knobs on the unit a quarter turn.
- [0.7] Slide the two reflectors into the top notch of the profile {A} and then rotate them a good 90° {B}.
- [0.8] Click the two side caps from the inside into the notches of the mirror reflectors. Use the narrow ones {★} for the BASIC and LAMELLA models and the wider versions {■} for the PARABOLIC model {A}. For the PARABOLIC model also click the two extra side caps from the inside into the notches of the mirror reflectors {B}.
- [0.9] Slide the two end caps onto the sides of the luminaire.



For more information on Veko Lightsystems, product information and downloads, please visit www.veko.com

TREND LINE "BASIC" (ULN) INSTALLATION INSTRUCTIONS



BASIC

- [1.2] Fit the mirror reflector insert.
- [1.3] To secure the mirror reflector, fit the rings {A} and tighten them a half turn {B}
- [1.4] Fit the tube and rotate it 90°.

LAMELLA

- [2.1] Follow the same steps as for the BASIC model.
- [2.2] Then slide the lamella profile into the luminaire {A}. Turn the profile and lower it onto the edges of the mirror reflectors {B}.

PARABOLA

- [3.1] Fit the tube as shown in fig. 1.4.
- [3.2] Click the guard onto the two end caps.
- [3.3] Fit the parabolic mirror reflector.

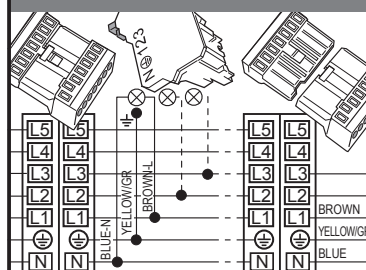
- [0.10] The number of suspension points should correspond with the number of luminaires to be installed.
- [0.11] To clean the luminaire use only a cloth and a little water if necessary.

SAFETY

Disconnect the mains before commencing installation of the light line.
Any work on the 230V-mains and/or the installation of the light line must be carried out by qualified electricians only. All installation instructions must be followed. When connecting the wiring, always take special note of the corresponding colours. Take all technical specifications of the appliance into consideration.

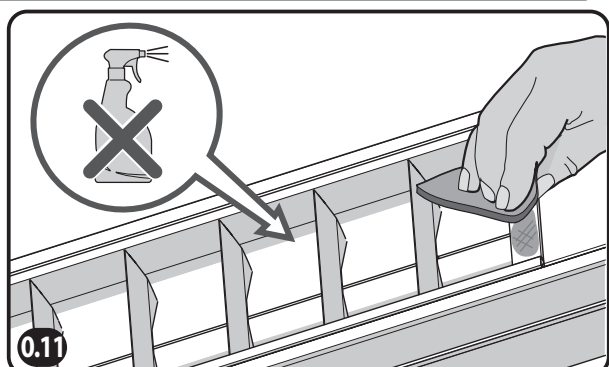
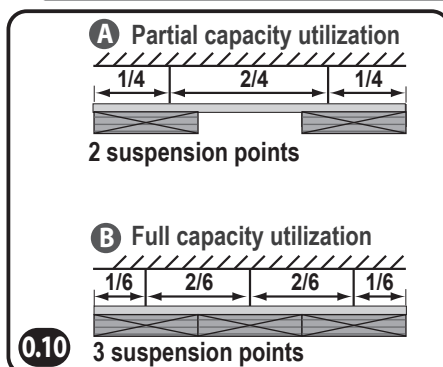
If in any doubt, please contact Veko Lightsystems Technical Department.
Any questions? e-mail montage@veko.nl or call +31 (0)224 273 235

DIAGRAM



TECHN. SPECIFICATIONS

Mains voltage: 230 - 240 V, 50 Hz
Subject to changes in design



For more information on Veko Lightsystems, product information and downloads, please visit www.veko.com