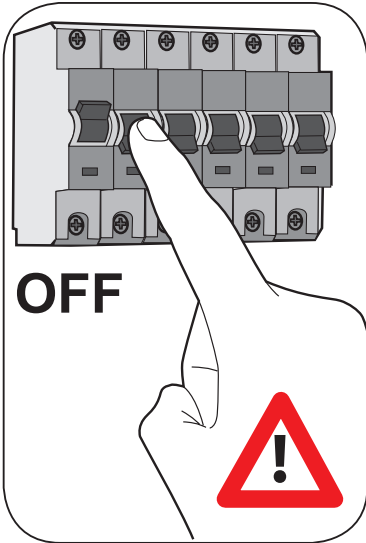
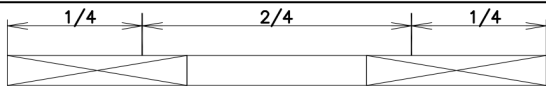
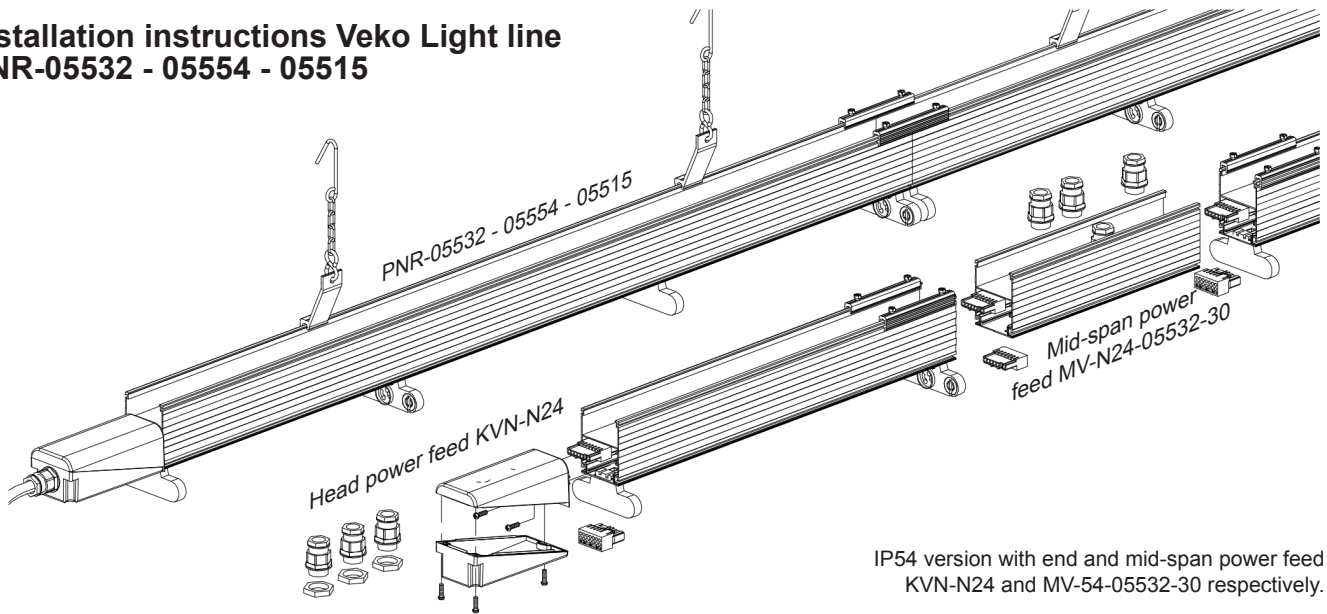


PNR-05532 - 05554 - 05515 INSTALLATION INSTRUCTIONS

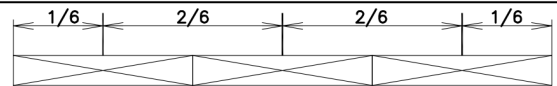


- Note:**
1. Disconnect the mains before installation.
 2. When adjusting the length of the light lines between the walls an expansion coefficient of 24×10^{-6} (2.4 mm per 100 m per °C) should be taken into account.
 3. Perspiration from hands can leave marks on the aluminium profiles and mirrors, which can be difficult to remove. Take appropriate precautions: wear gloves.
 4. 7-pin electrical connectors are suitable for solid wiring with a connection diameter of 1.5 – 2.5 mm².

Installation instructions Veko Light line PNR-05532 - 05554 - 05515



Light line must hang straight and in line



Mirrors or reflectors by 2 suspension points or, **at full capacity, by 3 suspension points**

With protective basket or grid always by 3 suspension points.

PNR-05532 - 05554 - 05515 INSTALLATION INSTRUCTIONS



Electrical and mechanical connections

- 1 Hang the light lines at the same height
- 2 Position the connector with the spiral behind the top of the profile
- 3 Connect the connectors to each other
- 4 Place the profile over the connector
- 5 Fix the connecting plate to side A, then to side B

Close the links

MM04

Connecting plates
K6R

Mounting plate
M2

Suspension brackets

S hook KET25	KDW	MM04	Threaded end M10 09-8751 1 m 09-8552 2 m	Steel wire 1.5 mm ² 09-8815 1 m 09-8816 2 m 09-8817 5 m			
B1R	B7SO-R	B2SO-R	B2-R	B2S-R	B1S-R	B3-R	B3C-R

If you have any questions about the installation
e-mail montage@veko.nl or call +31 (0)224 - 273 235



For more information on Veko Lightsystems,
product information and downloads, go to www.veko.com