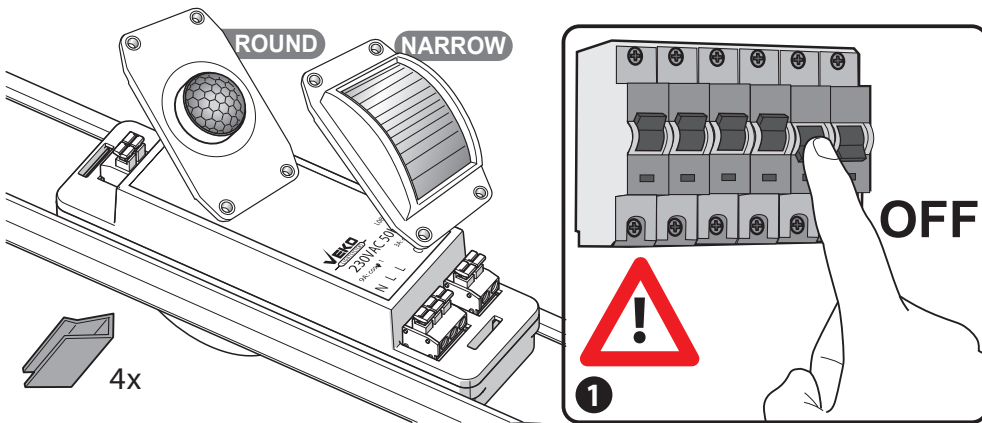


INSTALLATION AND USER MANUAL MDL-N/R



INTRODUCTION

The MDL-N/R is a motion detection sensor for tall and narrow areas up to 15 m (NARROW) as well as open business premises of up to 8 m high (ROUND).

INSTALLATION

[3] Fit the cover with the MDL in the light line profile. For this purpose, keep an opening of 300mm in the profile available {A}. Place the spring clips around profile and cover {B}.

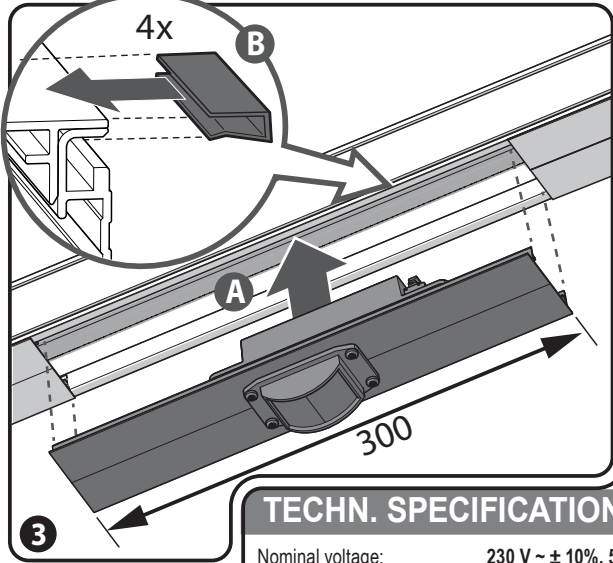
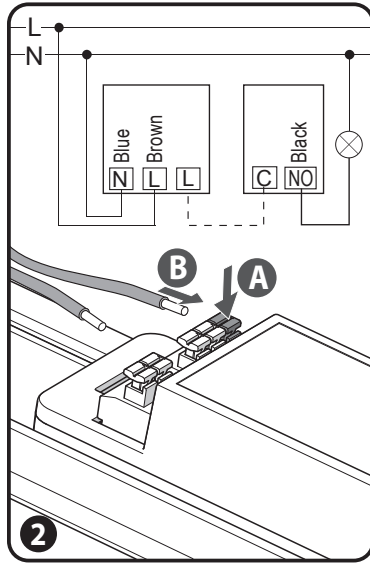
[4]/[5] In determining the location, take the sensor range into account both lengthwise and widthwise.

CONNECTION

Switch off the mains before installation!
Standard connection: Connect phase [L] to the brown wire, the switch wire [NO] to the black wire and neutral [N] to the blue wire. When power to the MDL-N/R is switched on, the lighting will consequently always be switched on. The sensor's two-way switch is potential free. 230V is applied by creating a loop between L and C in the standard situation.

SAFETY


Switch off the mains before installing the MDL. Any work on the 230V mains must be carried out by qualified electricians only.



TECHN. SPECIFICATIONS

Nominal voltage: 230 V ~ ± 10%, 50 Hz
Max. continuous power: 6 A at cos = 1
[3 A at cos = 0,4]
Own consumption [switched off/on]: <0,22 W/< 4 W
PIR detection angle: Around 130° - 140°
Turn-off delay: 5 s - 45 min. [motion]
Ambient temperature: -25 to 40 °C
Protection class: IP20/54
Lux values: Minimum 35 lux Maximum 1000 lux

Subject to design changes.



All installation instructions must be followed. When connecting the wiring, observe the correct colours. Take all technical specifications of the appliance into consideration. Do not use 'cold start' ballasts if the MDL is expected to switch the lighting more than 2 times per day. The MDL is not certified for alarm purposes. If in doubt, please contact the VEKO Lightsystems Technical Department. montage@veko.nl or call +31 (0)0224 273235

