

MAGNUS SPORT LED

IP20 - IP40 - IP54 - IP65

CE  05 LM-79 LM-80



Properly illuminating sports halls and swimming pools is a special skill. Moreover, these venues are subject to specific and stringent safety requirements covering such factors as impact resistance and protection from chlorine. Veko has developed robust LED luminaires, certified as "ballproof" (IK10 rating) by DEKRA and VDE.

The Magnus Sport line, for use in sports halls, has a profile of untreated aluminium and incorporates extra protection of the modules to guarantee impact resistance.

For swimming pools Veko takes it one step further. This version is anodised and chlorine-resistant by the use of a special coating. All seals are moisture-resistant. Suitable suspension material is supplied.

For greater flexibility, choose a light management system. This offers intelligent control, with easy programming of multiple lighting scenes for the ideal illumination of any sport or activity in a multipurpose venue.

Veko's linear lighting are not only some of the most energy-efficient in the world, but also the most sustainable. The equipment is supplied with virtually no packaging, is 100 per cent recyclable and is easily refurbished, even after 45 years.



CLEVER
SWIFT
SOLID

Technical information

Length	1,030 mm	1,530 mm	2,030 mm
Output flux	1,700 - 19,500 lm		
Wattage	11.3 - 122.4 W		
Voltage	220 - 240 V		
Frequency	50 ÷ 60 Hz		
Power factor	>0.9		
Drivers	Signify or Osram		
Operational temperature*	-20 °C to +35 °C (on request higher or lower temperatures possible)		
Weight	Approx. 2.5-3.3 kg/m, including profile and accessories		
Application	Sports venues and swimming pools		
Installation height	2 - 20 m		
Colour temperature	Natural white (± 4,000 K) On request other colour temperatures possible (3,000 - 6,500 K)		
Colour Rendering Index (CRI)	>80 (>90 possible)		
Lens options	Narrow, Semi Wide, Wide, X-Wide, Diffuse and Circular		
Cover Material	Polycarbonate		
Material	Untreated aluminium (sports venues) / anodized (swimming pools)		
Colour	Untreated aluminium, anodized and RAL colours		
Impact resistance	IK10		
IP code	IP20 - IP40 - IP54 - IP65		
Options	DALI, CLO, corridor, central and decentral emergency lighting		
Warranty	L85B10 / at least 5 year warranty / Ta 35 °C		
Expected life span	It is possible to reach 100,000 hours		
BREEAM norms	Yes		
NOC*NSF B1 (Ballproof)	Yes		

* Fixtures equipped with decentralized emergency lighting batteries have an operational temperature of +5 °C to +25 °C.

Versions

Lens optics	Application	Installation height	Impact resistance
Magnus Sport Narrow	Open areas	6 - 20 meter	IK10
Magnus Sport Semi Wide	Open areas	5 - 15 meter	IK10
Magnus Sport Wide	Open areas	2 - 10 meter	IK10
Magnus Sport X-Wide	Open areas	2 - 6 meter	IK10
Magnus Sport Diffuse	Open areas	2 - 10 meter	IK10
Magnus Sport Circular	Open areas	2 - 10 meter	IK10

On the initial performance, a tolerance of ± 10% is applicable, according to IEC. Technical data subject to change.

CLEVER
SWIFT
SOLID

MAGNUS SPORT LED

IP20 - IP40 - IP54 - IP65

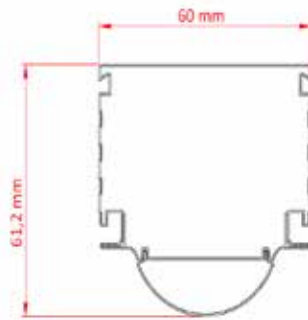
MAGNUS SPORT NARROW



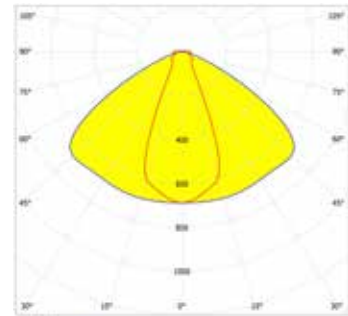
Luminaire



Dimensions



Polar diagram



Product code sports venues IP20-IP40	Product code swimming pools IP54	Product code swimming pools IP65	Length (mm)	Wattage (W)	Output flux (lm)	Lumen/Watt
LSN-N-312	LSH-N-312	LSW-N-312	1,030	11.4 - 61.9	1,800 - 8,300	133 - 154
LSN-N-352	LSH-N-352	LSW-N-352	1,530	11.3 - 92.2	1,800 - 12,400	133 - 171
LSN-N-355	LSH-N-355	LSW-N-355	1,530	16.6 - 122.4	2,700 - 17,850	145 - 167
LSN-N-362	LSH-N-362	LSW-N-362	2,030	11.5 - 105.7	1,800 - 14,750	138 - 164

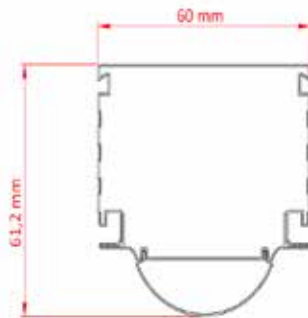
MAGNUS SPORT SEMI WIDE



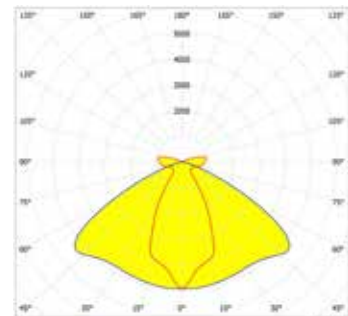
Luminaire



Dimensions



Polar diagram



Product code sports venues IP20-IP40	Product code swimming pools IP54	Product code swimming pools IP65	Length (mm)	Wattage (W)	Output flux (lm)	Lumen/Watt
LSN-S-312	LSH-S-312	LSW-S-312	1,030	11.4 - 61.9	1,700 - 8,000	130 - 149
LSN-S-352	LSH-S-352	LSW-S-352	1,530	11.3 - 92.2	1,700 - 12,000	130 - 166
LSN-S-355	LSH-S-355	LSW-S-355	1,530	16.6 - 122.4	2,600 - 17,250	141 - 162
LSN-S-362	LSH-S-362	LSW-S-362	2,030	11.5 - 105.7	1,700 - 14,250	135 - 158

On the initial performance, a tolerance of $\pm 10\%$ is applicable, according to IEC. Technical data subject to change.

**CLEVER
SWIFT
SOLID**

MAGNUS SPORT LED

IP20 - IP40 - IP54 - IP65

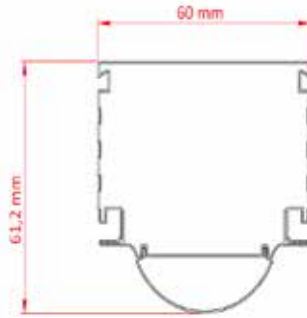
MAGNUS SPORT WIDE



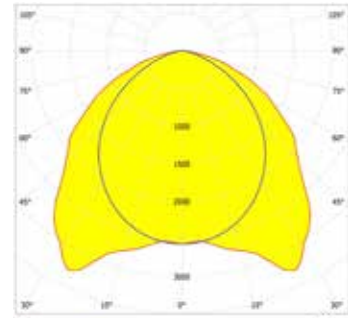
Luminaire



Dimensions



Polar diagram



Product code sports venues IP20-IP40	Product code swimming pools IP54	Product code swimming pools IP65	Length (mm)	Wattage (W)	Output flux (lm)	Lumen/Watt
LSN-W-312	LSH-W-312	LSW-W-312	1,030	11.4 - 61.9	1,900 - 8,950	141 - 166
LSN-W-352	LSH-W-352	LSW-W-352	1,530	11.3 - 92.2	1,900 - 13,400	141 - 185
LSN-W-355	LSH-W-355	LSW-W-355	1,530	16.6 - 122.4	2,800 - 19,250	153 - 181
LSN-W-362	LSH-W-362	LSW-W-362	2,030	11.5 - 105.7	1,900 - 15,900	146 - 176

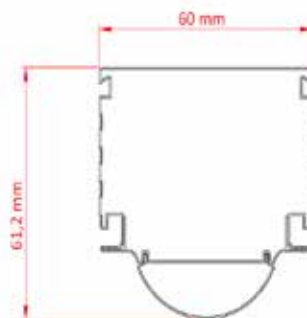
MAGNUS SPORT X-WIDE



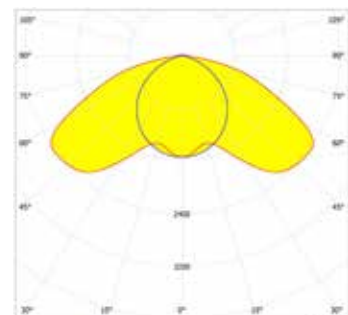
Luminaire



Dimensions



Polar diagram



Product code sports venues IP20-IP40	Product code swimming pools IP54	Product code swimming pools IP65	Length (mm)	Wattage (W)	Output flux (lm)	Lumen/Watt
LSN-XW-312	LSH-XW-312	LSW-XW-312	1,030	12.8 - 53.3	1,900 - 7,400	139 - 147
LSN-XW-352	LSH-XW-352	LSW-XW-352	1,530	12.4 - 74.5	1,900 - 10,500	141 - 148
LSN-XW-355	LSH-XW-355	LSW-XW-355	1,530	12.4 - 91.9	2,800 - 14,000	152 - 160
LSN-XW-362	LSH-XW-362	LSW-XW-362	2,030	12.5 - 102.4	1,900 - 14,400	140 - 152

On the initial performance, a tolerance of $\pm 10\%$ is applicable, according to IEC. Technical data subject to change.

**CLEVER
SWIFT
SOLID**

MAGNUS SPORT LED

IP20 - IP40 - IP54 - IP65

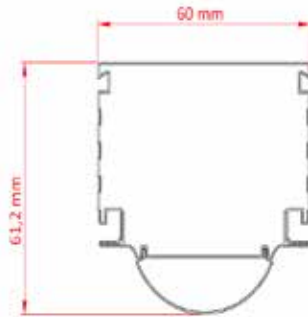
MAGNUS SPORT DIFFUSE



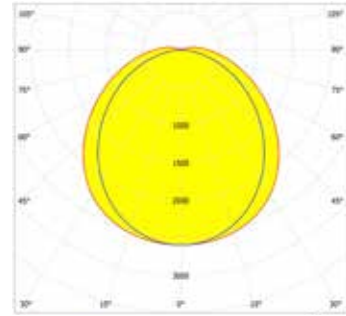
Luminaire



Dimensions



Polar diagram



Product code sports venues IP20-IP40	Product code swimming pools IP54	Product code swimming pools IP65	Length (mm)	Wattage (W)	Output flux (lm)	Lumen/Watt
LSN-D-312	LSH-D-312	LSW-D-312	1,030	11.4 - 61.9	1,700 - 8,350	129 - 156
LSN-D-352	LSH-D-352	LSW-D-352	1,530	11.3 - 92.2	1,700 - 12,550	129 - 173
LSN-D-355	LSH-D-355	LSW-D-355	1,530	16.6 - 122.4	2,600 - 18,050	140 - 169
LSN-D-362	LSH-D-362	LSW-D-362	2,030	11.5 - 105.7	1,700 - 14,900	134 - 165

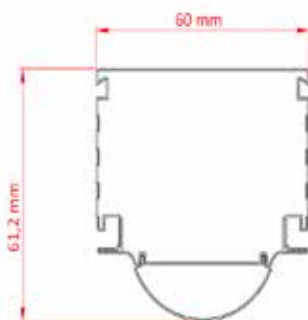
MAGNUS SPORT CIRCULAR



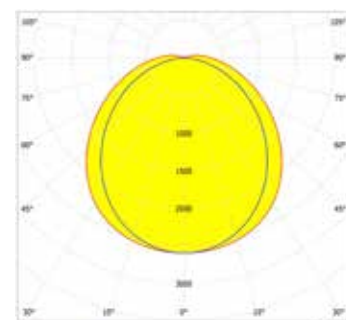
Luminaire



Dimensions



Polar diagram



Product code sports venues IP20-IP40	Product code swimming pools IP54	Product code swimming pools IP65	Length (mm)	Wattage (W)	Output flux (lm)	Lumen/Watt
LSN-C-312	LSH-C-312	LSW-C-312	1,030	11.4 - 61.9	1,900 - 9,050	141 - 168
LSN-C-352	LSH-C-352	LSW-C-352	1,530	11.3 - 92.2	1,900 - 13,550	141 - 187
LSN-C-355	LSH-C-355	LSW-C-355	1,530	16.6 - 122.4	2,800 - 19,500	153 - 182
LSN-C-362	LSH-C-362	LSW-C-362	2,030	11.5 - 105.7	1,900 - 16,100	146 - 178

On the initial performance, a tolerance of $\pm 10\%$ is applicable, according to IEC. Technical data subject to change.

**CLEVER
SWIFT
SOLID**